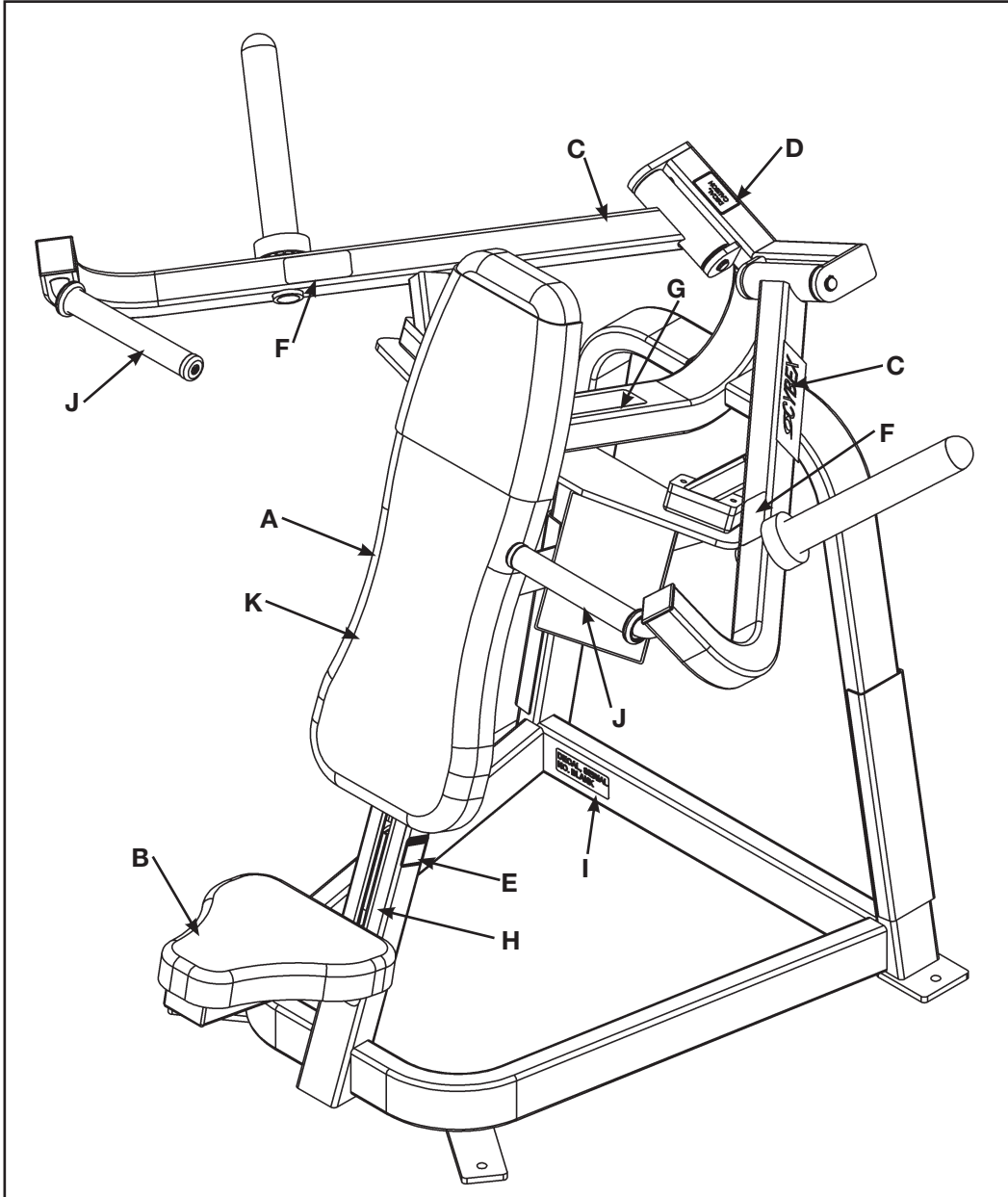


CONVERGING OVERHEAD PRESS

PRODUCT NO. 5222



DESCRIPTION	PART NO.	DESCRIPTION	PART NO.
A. Back Cushion w/Wear Cover	██████████	F. Warning Decal	5220-337
B. Seat Cushion	4800-019	G. Warning Decal	5220-364
C. Cybex Decal Black	3900-445	H. Adjustable Seat Decal ..	5221-316
C. Cybex Decal Silver	3900-446	I. Serial Number Decal	CM000202
D. Caution Decal	4000Y316	J. Grip	4605-502
E. Caution Decal	4520-362	K. Wear Cover (Item A)	██████████

5222 - Converging Plate Loaded Overhead Press

ITEM	QTY	PART NO.	DESCRIPTION
1	2	3900-445	Cybex Decal 1.00 Horiz. Black
1			Removed 7/03
1	2	3900-446	Cybex Decal 1.00 Horiz. Silver
2	1	4000Y316	Caution Decal
3	1	4520-212	Seat Roller
4	1	4520-213	Bracket
5	2	4520-331	Roller
6	1	4520-362	Caution Decal
7			Removed 7/03
8	2	5220-305	2.00 X 4.00 Bumper
9	2	5220-320	Pivot Shaft
10	2	5220-337	Warning Decal
11	1	5220-364	Warning Decal
12	2	5220-367	Plastic Spacer
13	1	5221-204	Seat
14	1	5221-316	Adjustable Seat Decal
15	1	5222-200	Frame
16	1	5222-201	Arm (LH)
17	1	5222-202	Arm (RH)
18	1	5222-598	Placard Decal
19	2	5330M040	Plug
20	2	5362-312	Bumper
21	2	5490P005	Weight Tube 12.00
22	4	BR030210	Retaining Ring 17mm
23	1	CM000202	Serial No. Decal
24	4	FB030232	Bearing
25	2	HC700430	BHSCS .375-16 x 2.50
26	4	HC702815	SHCS .375-16 x .75
27	2	HC702817	SHCS .375-16 x 1.00
28	2	HF449063	Insert 3/4 x 1/4-20
29	2	HS347600	Washer .375
30	2	HS347700	Washer .375
31	2	JC700434	BHSCS .375-16 x 3.00
32	2	JC702812	SHCS .375-16 x .50
33	2	PN660200	Plastic Insert 1.00 Dia.-11 G
34	2	PP080207	Plastic Insert .437 Dia. 11 G
35	1	PP090202	Plastic Insert 1.50 x 3.00 x 11 G
36	1	PP090206	Plastic Insert 1.50 x 3.00 x 11 G
37	2	PP090210	Plastic Insert 2.00 Sq x 10-14 G
38	2	4605-502	Grip 1.38 OD x .94 ID
39A	1	██████████	Back Cushion w/Wear Cover
39B	1	██████████	Wear Cover
40	1	4800-026	Seat Cushion
41	2	11090-374	End Cap
42	2	11090-376	Grip Ring
43	1	51198	Strength Warranty Sheet (not shown)
44	2	JC620422	BHSCS .250-20 x 1.50
45	4	JS347400	Internal Tooth Lockwasher

5222 - Converging Plate Loaded Overhead Press

